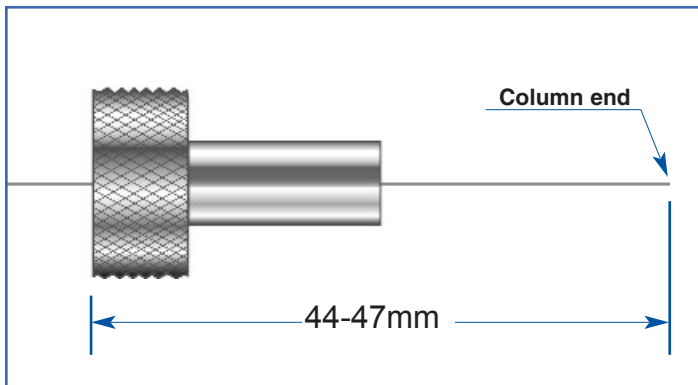


Finger-Tight Column Nuts

For use with standard $1/16$ -inch compression fittings - cat.# 21042

Instructions for Use:

Restek recommends an installation distance of 44 to 47mm from the back of the nut to the end of the fused silica column.



**Call Technical Service at 800-356-1688 or 814-353-1300, ext. 4
(or your local Restek representative) if you have any questions
about this product or any other Restek product.**



#203-02 [020]
Rev. date: 4/11/03

Restek USA: 110 Benner Circle, Bellefonte, PA 16823
phone: (800) 356-1688 or (814) 353-1300 • fax: (814) 353-1309; www.restekcorp.com
Restek GmbH: phone: (49) 06172 2797 0 • fax: (49) 06172 2797 77
Restek France: phone: 01 60 78 32 10 • fax: 01 60 78 70 90
Thames Restek UK Ltd.: phone: 01494 563377 • fax: 01494 564990
Restek Ireland: phone: 44 28 9081 4576 • fax: 44 28 9081 4576