

Restek HPLC Solvent Waste Overflow Indicator

cat.# 26543

Restek's Waste Overflow Indicator is designed to notify the HPLC operator of a full waste bottle. An indicator alarm sounds in time to empty the bottle before spillover occurs.

Waste Overflow Indicator Assembly, Exploded view (Figure 1)

1. bottom float subassembly
2. bottle topper assembly
3. battery body
4. electronic board
5. AA battery (not included)
6. threaded bottle cap
7. buzzer cap
8. buzzer cap nut

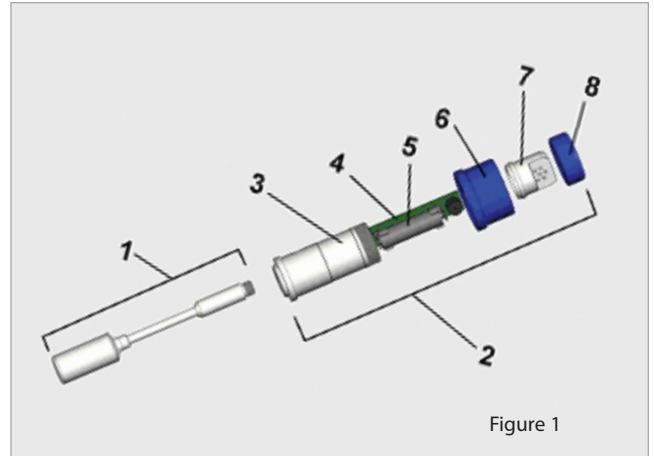


Figure 1

To assemble the unit: (Figure 2)

Screw the bottom float assembly into the threaded hole of the bottle topper assembly.

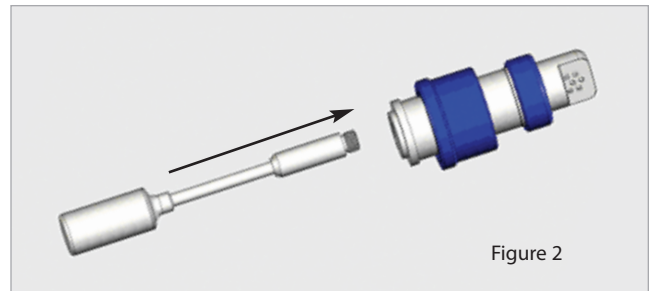


Figure 2

To install the battery: (Figures 3 and 4)

1. Remove the threaded bottle cap from the battery body and pull out the electronic board.
2. Clip an AA battery into the electronic board. Be sure to align the battery polarity as indicated on the board.
3. Slide the electronic board into the buzzer cap and install into the battery body.

Note: the assembly is keyed with a tab and notch (indicated by arrows in Figure 4) to ensure proper alignment between the buzzer cap and the battery body.

4. Screw buzzer cap nut back onto the battery body.

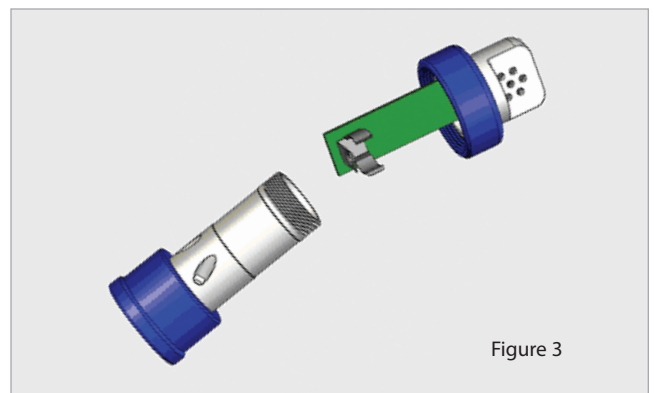


Figure 3

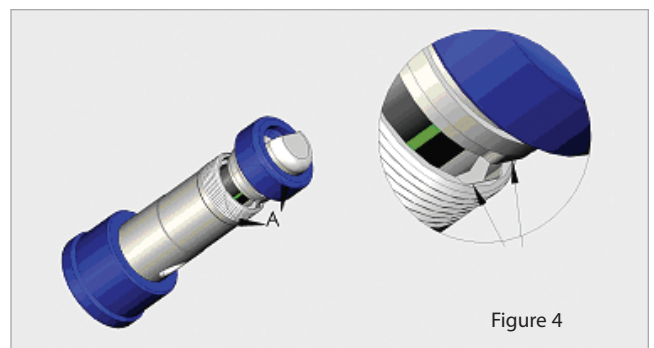


Figure 4

To install the unit: (Figure 5)

1. Screw the finished assembly onto the top of waste bottle.
2. Insert the waste lines into the inlets (indicated by arrows in Figure 5).
3. The unit is now operational. When the bottle is full an audible alarm will trigger every 30 seconds until the bottle is emptied.

Note: The Indicator has an approximate 1 minute alarm delay once the switch is activated. The unit is designed to accommodate 1 or 2 waste lines (1/16" tubing). Avoid using larger tubing or extra lines as high backpressure can result if the inlets become sealed, preventing air displacement.

CAUTION!

**HPLC WASTE MAY CONTAIN FLAMMABLE VAPOR.
ONLY USE THE WASTE OVERFLOW INDICATOR IN A
WELL-VENTILATED ENVIRONMENT.**

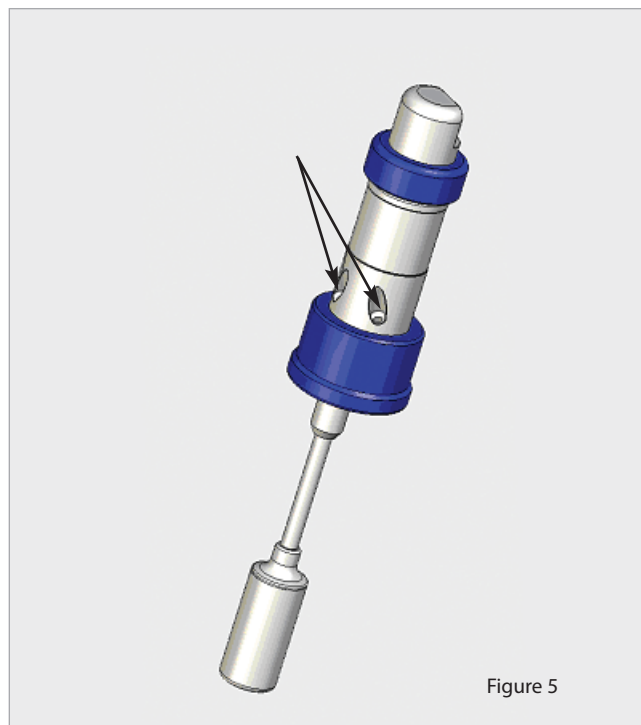


Figure 5



Specifications:

Power: 1 AA battery.
Warranty: one year.

WEEE and RoHS compliant

CE certifications:

EU/EMC Directive 2004/108/EC
61326:1997 w/A3

Industry Canada:

This Class A digital apparatus complies with Canadian ICES-003.

Cet appareil numérique de la classe A est conforme à la norme NMB-003 du Canada.

Waste Overflow Indicator for HPLC Systems

Description	qty.	cat.#
Waste Overflow Indicator for HPLC Systems	kit	26543
Replacement AA Battery for the Waste Overflow Indicator	ea.	26544
Replacement AA Batteries for the Waste Overflow Indicator	3-pk.	26545



Call Technical Service at 800-356-1688 or 814-353-1300, ext. 4 (or your Restek representative) if you have any questions about this product or any other Restek product.



Restek U.S. • 110 Benner Circle • Bellefonte, PA 16823

phone: 814-353-1300 or 800-356-1688 • fax: 814-353-1309 • www.restek.com

Restek France • phone: 33 (0)1 60 78 32 10 • fax: 33 (0)1 60 78 70 90 • e-mail: restek@restekfrance.fr

Restek Ireland • phone: 44 2890 814576 • fax: 44 2890 814576 • e-mail: restekeurope@aol.com

Thames Restek U.K. LTD • phone: 44 1494 563377 • fax: 44 1494 564990 • e-mail: sales@thamesrestek.co.uk

Restek GmbH • phone: +49 (0) 6172 2797 0 • fax: +49 (0) 6172 2797 77 • e-mail: info@restekgmbh.de