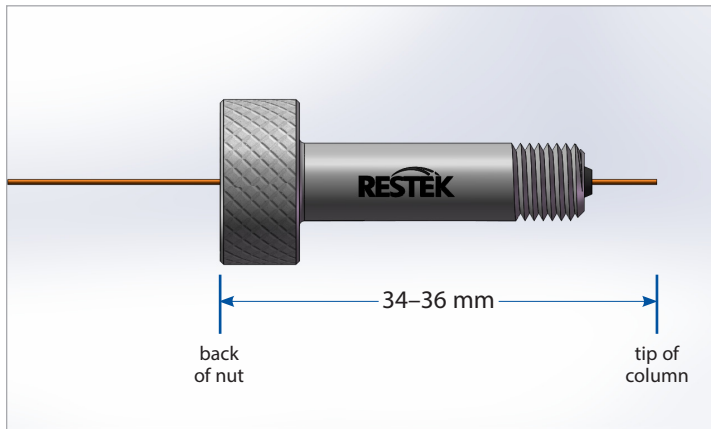


Extended Capillary Column Nuts

For use with Agilent®-style ferrules - cat.# 22634, 22637

Recommended Installation Distance:

Restek recommends an installation distance of 34 to 36 mm from the back of the nut to the end of the fused silica column.



Questions about this or any other Restek® product? Contact us or your local Restek® representative (www.restek.com/contact-us).

Restek® patents and trademarks are the property of Restek Corporation. (See www.restek.com/Patents-Trademarks for full list.) Other trademarks in Restek® literature or on its website are the property of their respective owners. Restek® registered trademarks are registered in the U.S. and may also be registered in other countries.

© 2014 Restek Corporation. All rights reserved.
Printed in the U.S.A.

#203-03-041 Rev. date: 10/14



RESTEK®
www.restek.com